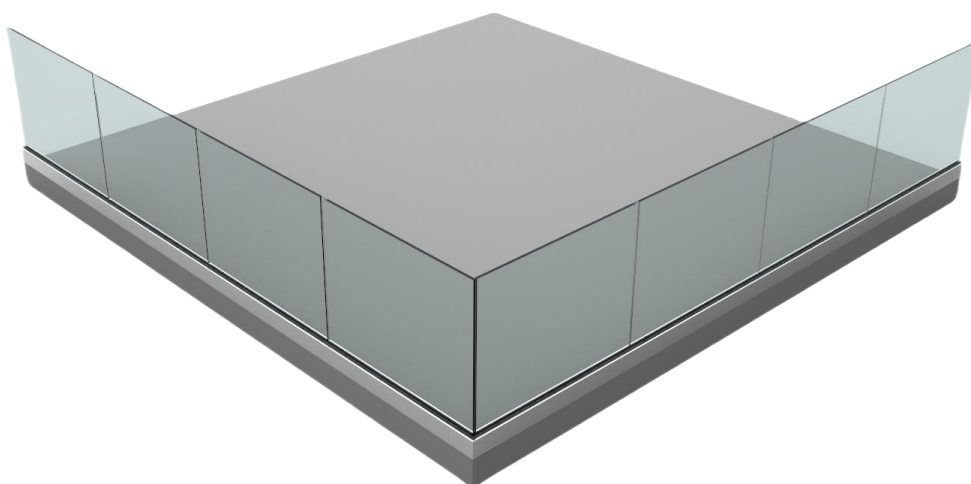


NEW

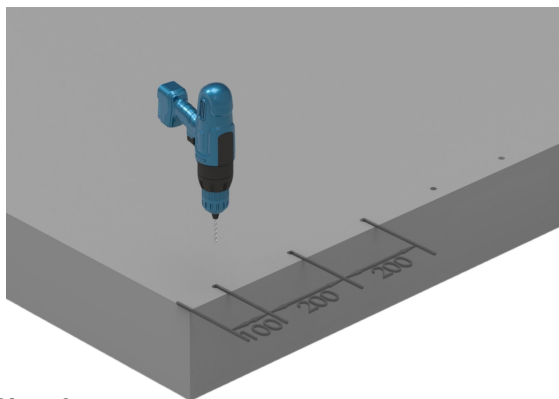
ALU SERIES

Aluminum Base Shoe Glass Railing System

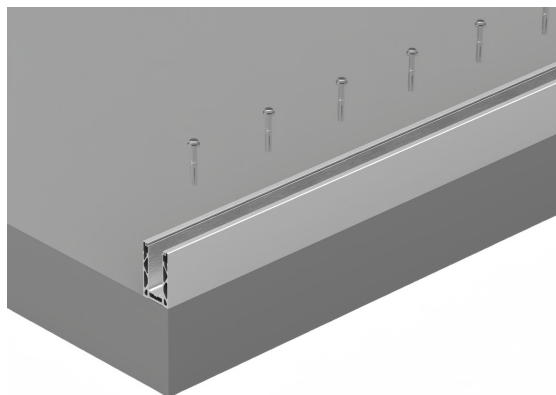
TOP MOUNT

Installation Guide

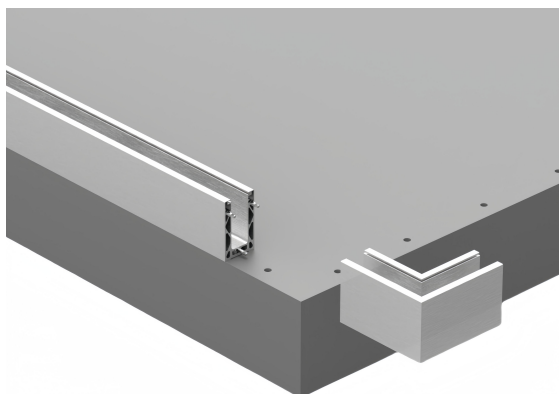
Step 1.
Drill holes.



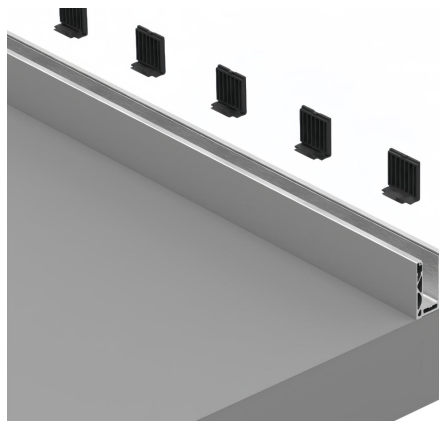
Step 2.
Fix your aluminum base shoe with expansion anchor bolts.



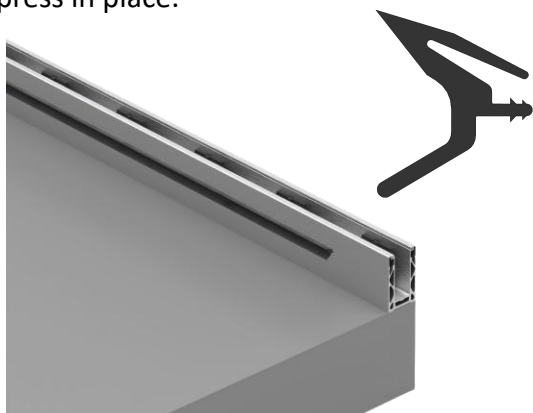
Step 3.
Use flexible axle to connect the base shoe and corners.



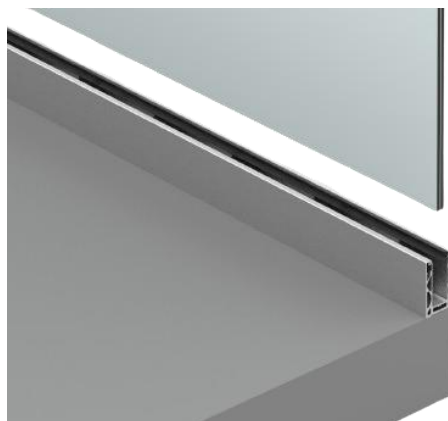
Step 4.
Place L wedges into exterior (fall side) of aluminum base shoe.



Step 5.
Install exterior (fall side) rubber gaskets and press in place.



Step 6.
Rest glass panel into aluminum base shoe.



Installation Guide

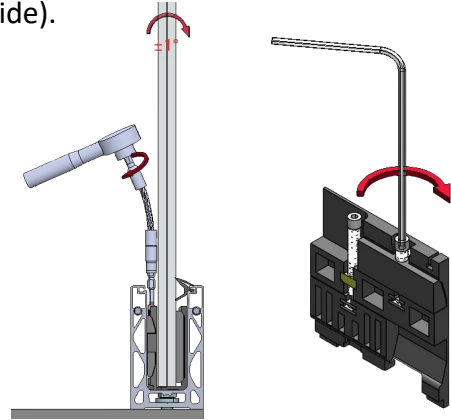
Step 7.

Insert adjust wedges into interior side of aluminum base shoe between glass panel and base shoe.



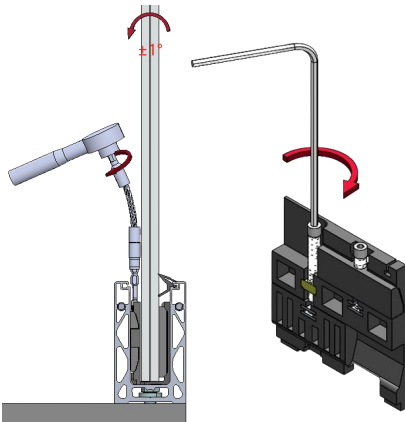
Step 8.

If need to align the glass, tighten the right bolt clockwise to adjust glass panel 1° to exterior (fall side).



Step 9.

Tighten the left bolt clockwise to adjust glass panel 1° to interior side.



Step 10.

Press interior rubber gaskets between base shoe and glass panel.



Step 11.

Stick end caps to aluminum base shoe.



Step 12.

Finish.

