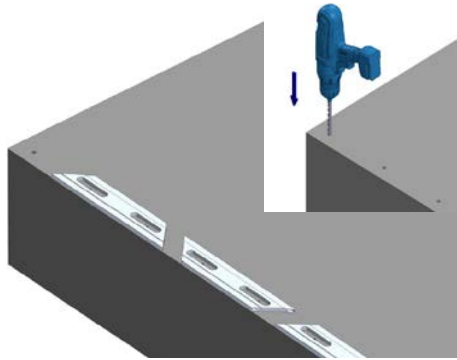


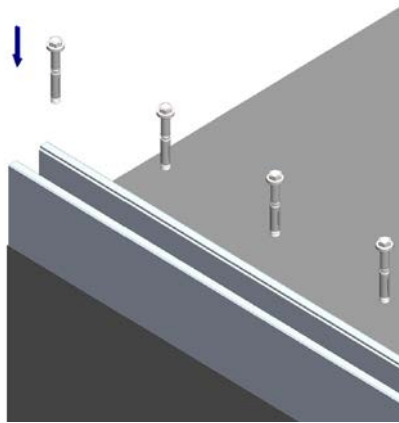
## ALUMINUM ADJUSTABLE BASE SHOE - TOP MOUNT

**Step 1.** Use a ½" (12mm) drill bit to drill 4 2<sup>3</sup>/<sub>32</sub>" down in each marked location.

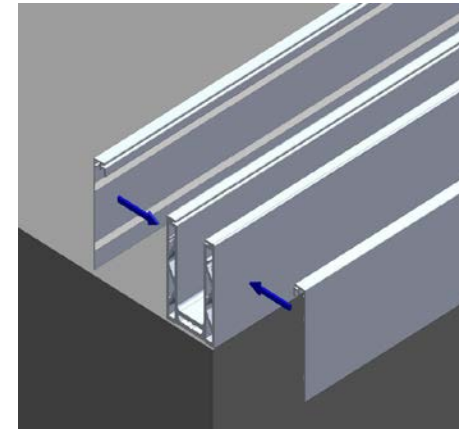
**Step 2.** Place drainage profiles over previously drilled holes.



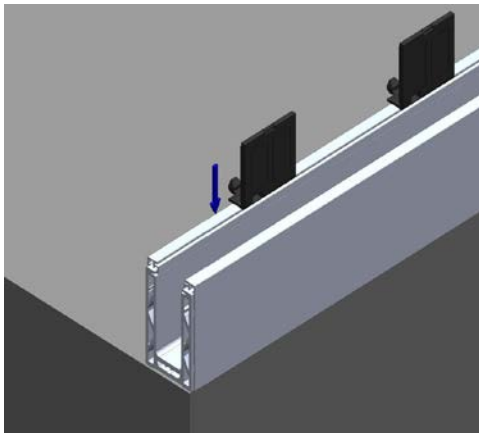
**Step 3.** Fix your aluminum base shoe with 5/16" (8mm) expansion anchor bolts.



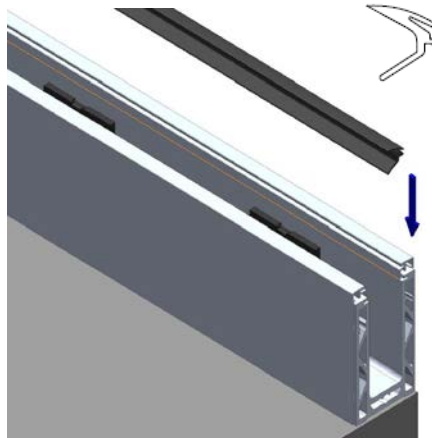
**Step 4.** Clip both side claddings into place.



**Step 5.** Place L wedges into exterior (fall side) of aluminum base shoe.

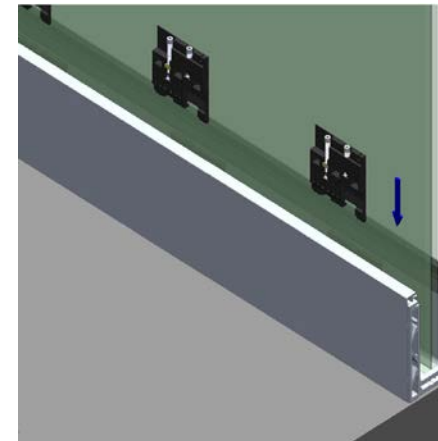


**Step 6.** Install exterior (fall side) rubber gaskets prior to installing glass panel and press in place.



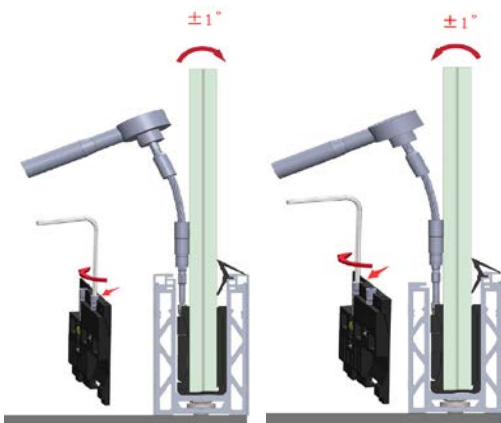
**Step 7.** Rest glass panel into aluminum base shoe.

**Step 8.** Insert adjust wedges into interior side of aluminum base shoe between glass panel and base shoe.

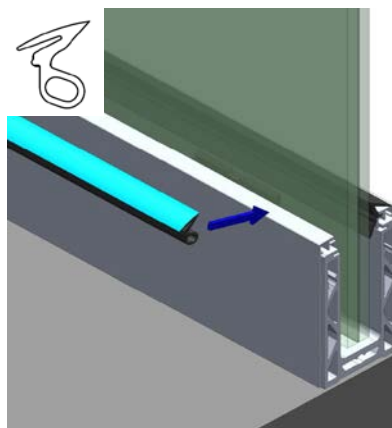


## ALUMINUM ADJUSTABLE BASE SHOE - TOP MOUNT

**Step 9. Tighten the right bolt clockwise to adjust glass panel 1° to exterior (fall side). Tighten the left bolt clockwise to adjust glass panel 1° to interior side.**



**Step 10. Press interior rubber gaskets between base shoe and glass panel.**



**Step 11. Stick end caps to aluminum base shoe.**

