

JINFER

BALUSTRADES & RAILINGS

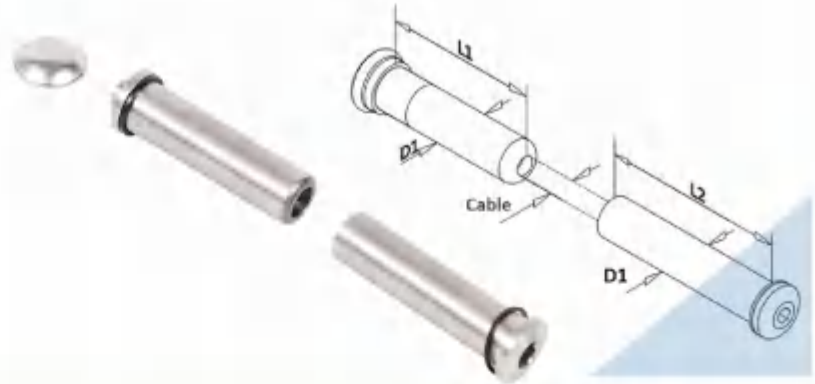


PATENT
SWAGELESS
CABLE RAILING

Swageless Cable System

Easy & Fast Installation

Terminal Kit For SS Deck Railing



Stock No.	Cable Dia.	D1(mm)	L1	L2
CU711325	1/8"	φ11	2.03"	2.03"
CU711326	1/8"	φ11	1.56"	1.56"
CU711425	5/32"	φ11	2.03"	2.03"
CU711426	5/32"	φ11	1.56"	1.56"
CU711525	3/16"	φ11	2.03"	2.03"
CU711526	3/16"	φ11	1.56"	1.56"

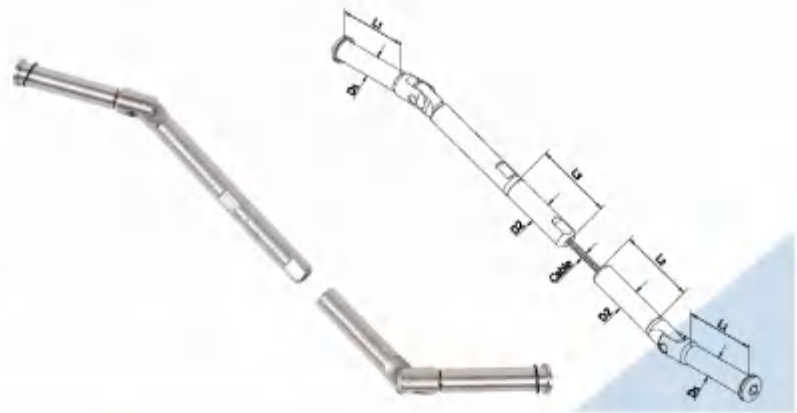
*Customized lengths available

*To order with swage stud

Swageless Terminal Kit For Wood Deck Railing



Stock No.	Cable Dia.	D1(mm)	L1	L2	T
CW723325	1/8"	φ11	1.56"	1.56"	ST8
CW723425	5/32"	φ11	1.56"	1.56"	ST8
CW723525	3/16"	φ11	1.56"	1.56"	ST8



Swivel Swageless Terminal Kit For SS Stair Railing

Stock No.	Cable Dia.	D1(mm)	L1	L2	L3
CU731325	1/8"	φ11	2.03"	1.56"	1.56"
CU731326	1/8"	φ11	1.56"	1.56"	1.56"
CU731425	5/32"	φ11	2.03"	1.56"	1.56"
CU731426	5/32"	φ11	1.56"	1.56"	1.56"
CU731525	3/16"	φ11	2.03"	1.56"	1.56"
CU731526	3/16"	φ11	1.56"	1.56"	1.56"

*L3 Customized lengths available



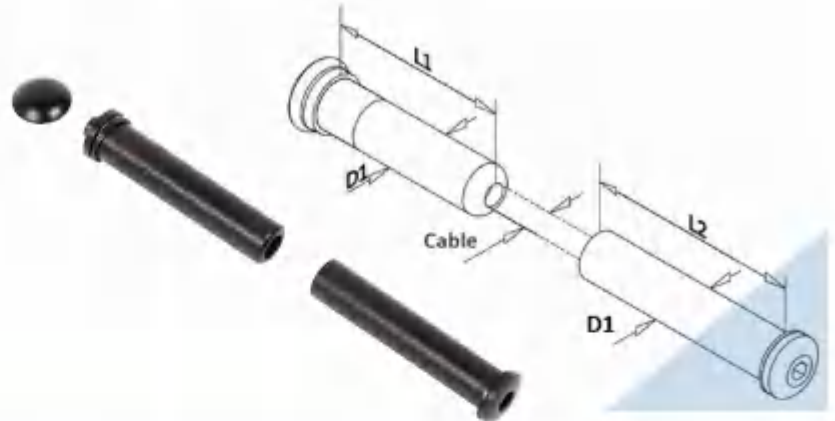
Swivel Swageless Terminal Kit For Wood Stair Railing

Stock No.	Cable Dia.	D1(mm)	L1	L2	T
CW743325	1/8"	φ11	1.56"	1.56"	ST8
CW743425	5/32"	φ11	1.56"	1.56"	ST8
CW743525	3/16"	φ11	1.56"	1.56"	ST8

Swageless Cable System Black Finish

Easy & Fast Installation

Swageless Terminal Kit For SS Deck Railing PVD Black

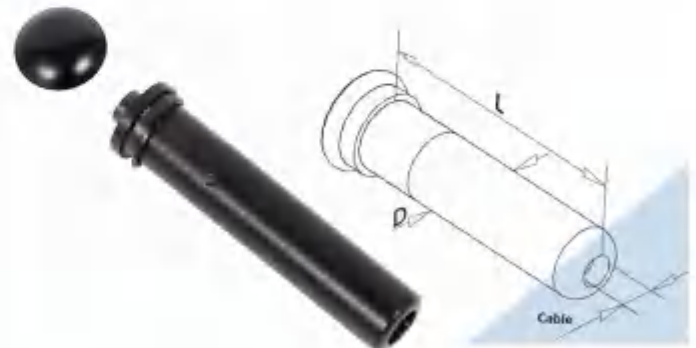


Stock No.	Cable Dia.	D1(mm)	L1	L2
CU711325	1/8"	φ11	2.03"	2.03"
CU711326	1/8"	φ11	1.56"	1.56"
CU711425	5/32"	φ11	2.03"	2.03"
CU711426	5/32"	φ11	1.56"	1.56"
CU711525	3/16"	φ11	2.03"	2.03"
CU711526	3/16"	φ11	1.56"	1.56"

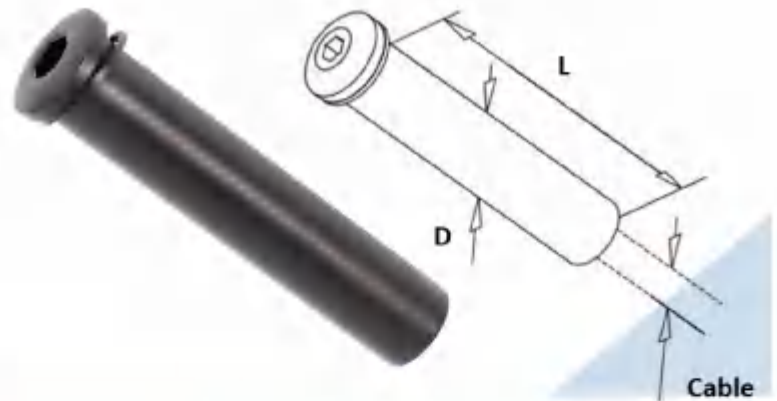
*Customized lengths available

*To order with swage stud

Swageless Pull Lock PVD Black



L (Inch)	1.56"	1.8"	2.03"	2.4"	2.53"	2.756"	3.03"
1/8" Cable Stock No.	CU251340-GB	CU251346-GB	CU251352-GB	CU251361-GB	CU251364-GB	CU251370-GB	CU251377-GB
5/32" Cable Stock No.	CU251440-GB	CU251446-GB	CU251452-GB	CU251461-GB	CU251464-GB	CU251470-GB	CU251477-GB
3/16" Cable Stock No.	CU251540-GB	CU251546-GB	CU251552-GB	CU251561-GB	CU251564-GB	CU251570-GB	CU251577-GB
D(mm)	φ11	φ11	φ11	φ11	φ11	φ11	φ11



Stainless Steel Streamline Receiver PVD Black

L (inch)	1.56"	1.8"	2.03"	2.4"	2.53"	2.756"	3.03"
Stock No.	CU110840-GB	CU110846-GB	CU110852-GB	CU110861-GB	CU110864-GB	CU110870-GB	CU110877-GB
D(mm)	φ10.5	φ10.5	φ10.5	φ10.5	φ10.5	φ10.5	φ10.5

To order separately

Moly-coated Swage Stud

Stock No.	Cable Dia.
CU161300(Mo)	1/8"
CU161400(Mo)	5/32"
CU161500(Mo)	3/16"

*Swage required



1x19 Stainless Steel Black Oxide Cable

Cable Dia	1/8"	5/32"	3/16"
Length	1000ft per reel		

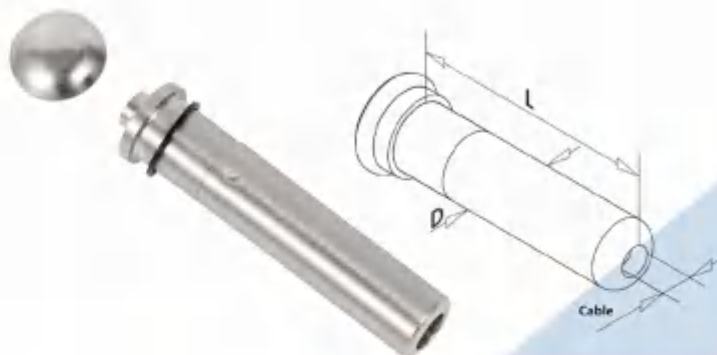
Swaged Cable

*We can also provide swage service, customized lengths available

Swageless Cable Fittings

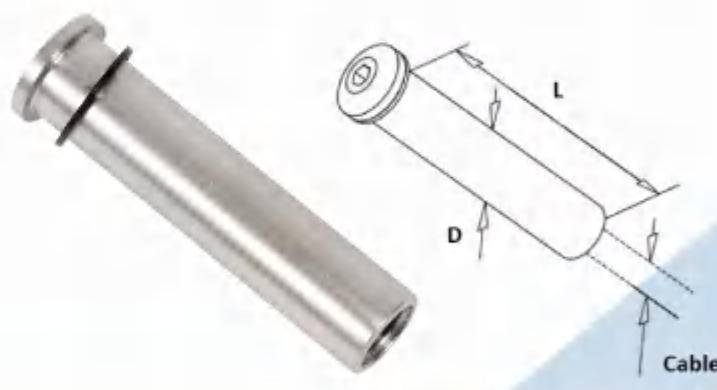
Easy & Fast Installation

Swageless Pull Lock



L (Inch)	1.56"	1.8"	2.03"	2.4"	2.53"	2.756"	3.03"
1/8" Cable Stock No.	CU251340	CU251346	CU251352	CU251361	CU251364	CU251370	CU251377
5/32" Cable Stock No.	CU251440	CU251446	CU251452	CU251461	CU251464	CU251470	CU251477
3/16" Cable Stock No.	CU251540	CU251546	CU251552	CU251561	CU251564	CU251570	CU251577

Stainless Steel Streamline Receiver



L (inch)	1.56"	1.8"	2.03"	2.4"	2.53"	2.756"	3.03"
Stock No.	CU110840	CU110846	CU110852	CU110861	CU110864	CU110870	CU110877
D(mm)	0.406"	0.406"	0.406"	0.406"	0.406"	0.406"	0.406"

To order separately

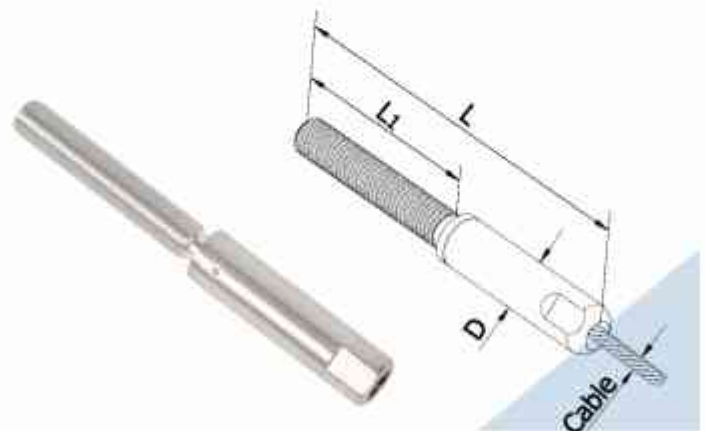
**Moly-coated
Swage Stud**



Stock No.	Cable Dia.
CU161300(Mo)	1/8"
CU161400(Mo)	5/32"
CU161500(Mo)	3/16"

*Swage required

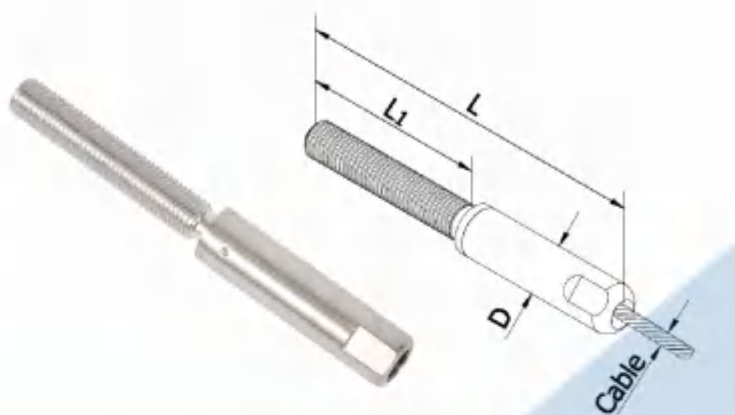
**Swageless
Terminal**



Stock No.	Cable Dia.	D(mm)	L	L1	T
CU210328	1/8"	φ11	3.425"	1.77"	5/16"-24 UNF
CU210428	5/32"	φ11	3.425"	1.77"	5/16"-24 UNF
CU210528	3/16"	φ11	3.425"	1.77"	5/16"-24 UNF

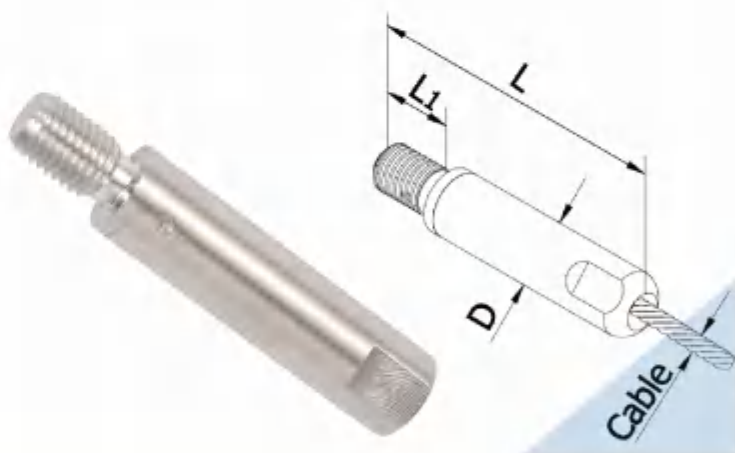
Swageless Cable Fittings

Swageless Terminal Shorter Threads



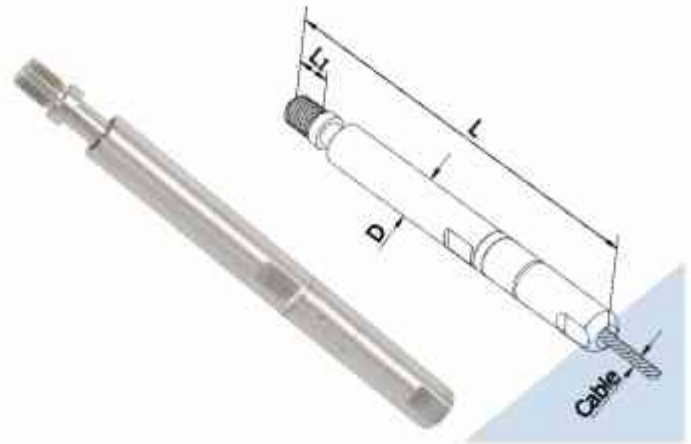
Stock No.	Cable Dia.	D(mm)	L	L1	T
CU210326	1/8"	φ11	2.835"	1.181"	5/16"-24 UNF
CU210426	5/32"	φ11	2.835"	1.181"	5/16"-24 UNF
CU210526	3/16"	φ11	2.835"	1.181"	5/16"-24 UNF

Swageless Terminal Minimum Threads



Stock No.	Cable Dia.	D(mm)	L	L1	T
CU210325	1/8"	φ11	2.146"	0.512"	5/16"-24 UNF
CU210425	5/32"	φ11	2.146"	0.512"	5/16"-24 UNF
CU210525	3/16"	φ11	2.146"	0.512"	5/16"-24 UNF

Swageless Tensioner



Stock No.	Cable Dia.	D(mm)	L	L1	T
CU230325	1/8"	φ11	4.53"	0.394"	5/16"-24 UNF
CU230425	5/32"	φ11	4.53"	0.394"	5/16"-24 UNF
CU230525	3/16"	φ11	4.53"	0.394"	5/16"-24 UNF

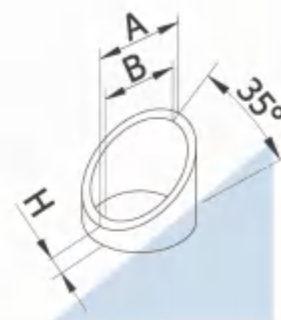
Swivel swageless Cable Railing Kit



Stock No.	Cable Dia.	D1(mm)	L1	L2	T
CU733325	1/8"	φ11	1.56"	1.56"	5/16"-24 UNF
CU733425	5/32"	φ11	1.56"	1.56"	5/16"-24 UNF
CU733525	3/16"	φ11	1.56"	1.56"	5/16"-24 UNF

Swageless Cable Fittings

Angle Washer



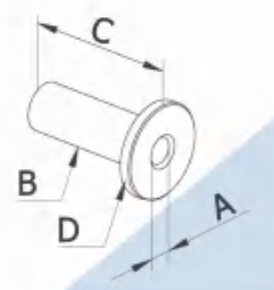
Stock No.	A	B	H	Angle
C8231135	0.531"	0.445"	0.1"	35°

Angle Washer for Round Posts



Stock No.	A	B	Angle
C854114835	0.531"	0.445"	35°

Protector Sleeve

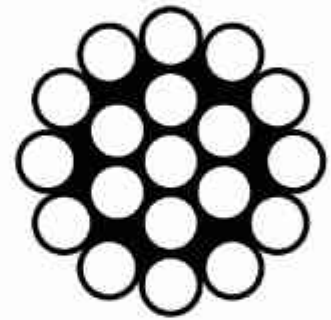


Stock No.	A	B	C	D(mm)
C60803	1/8"	1/4"	0.75"	φ12.6
C60805	3/16"	1/4"	0.75"	φ12.6



Release Key

Stock No.	Suit Cable
CU19903	1/8"; 5/32"; 3/16"



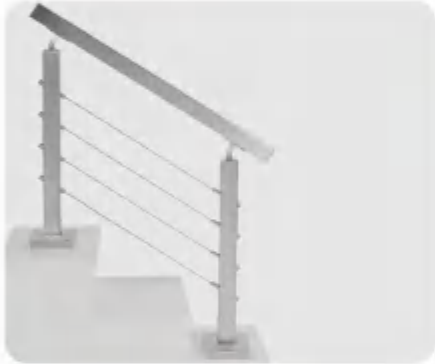
1x19 Stainless Steel Cable

Cable Dia	1/8"	5/32"	3/16"
Length	1000ft per reel		

Swaged Cable

*We can also provide swage service, customized lengths available





Contact



Detailed Products

QINGDAO JINFER INTERNATIONAL CO.,LTD.

No. 6 Shan Dong Rd., Qingdao, China 266000

Tel: +86 532 8386 0958

Email: sales@jinferrailing.com

www.jinferrailing.com