

**JINFER**<sup>®</sup>

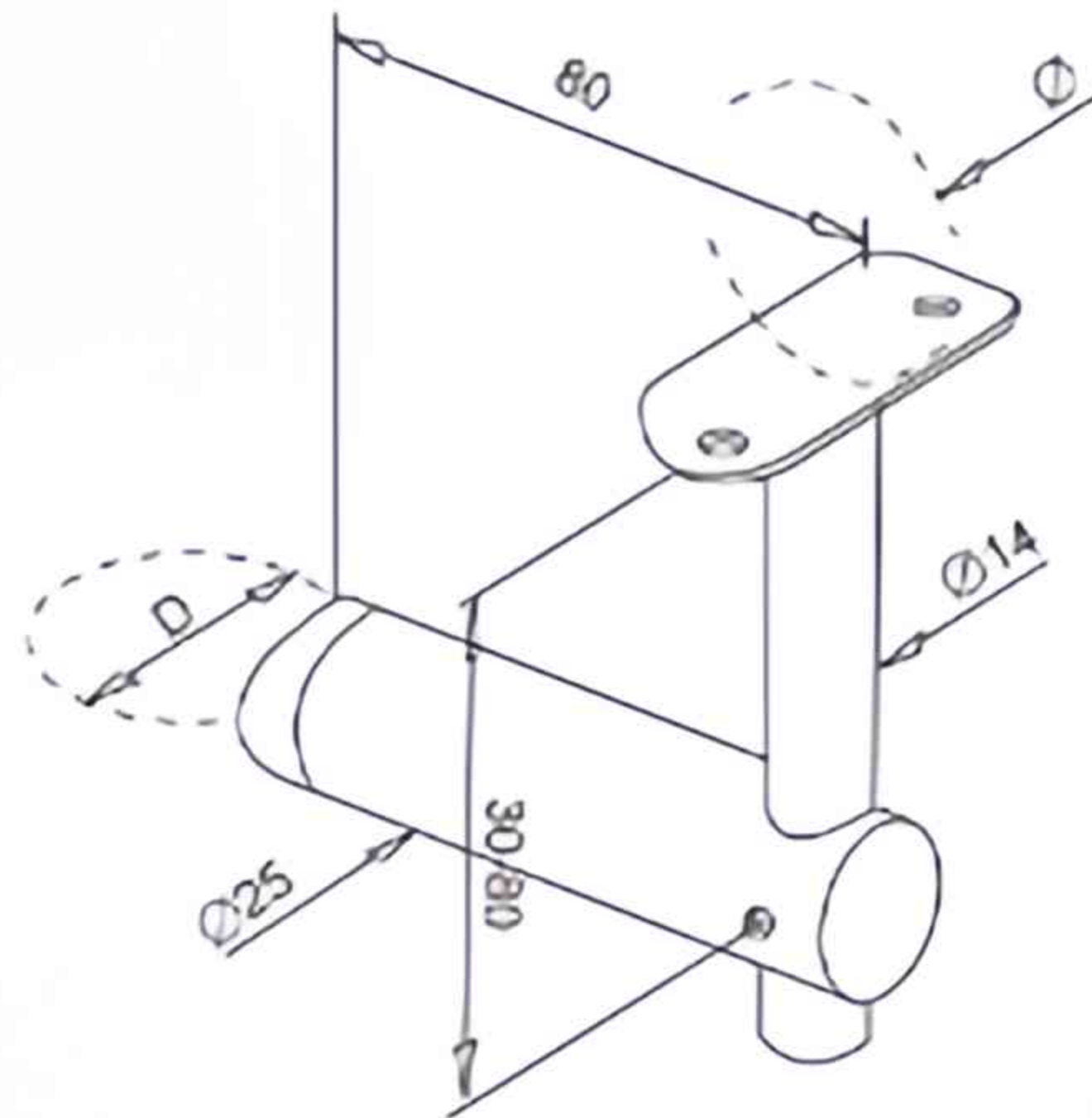
**HANDRAIL BRACKETS**





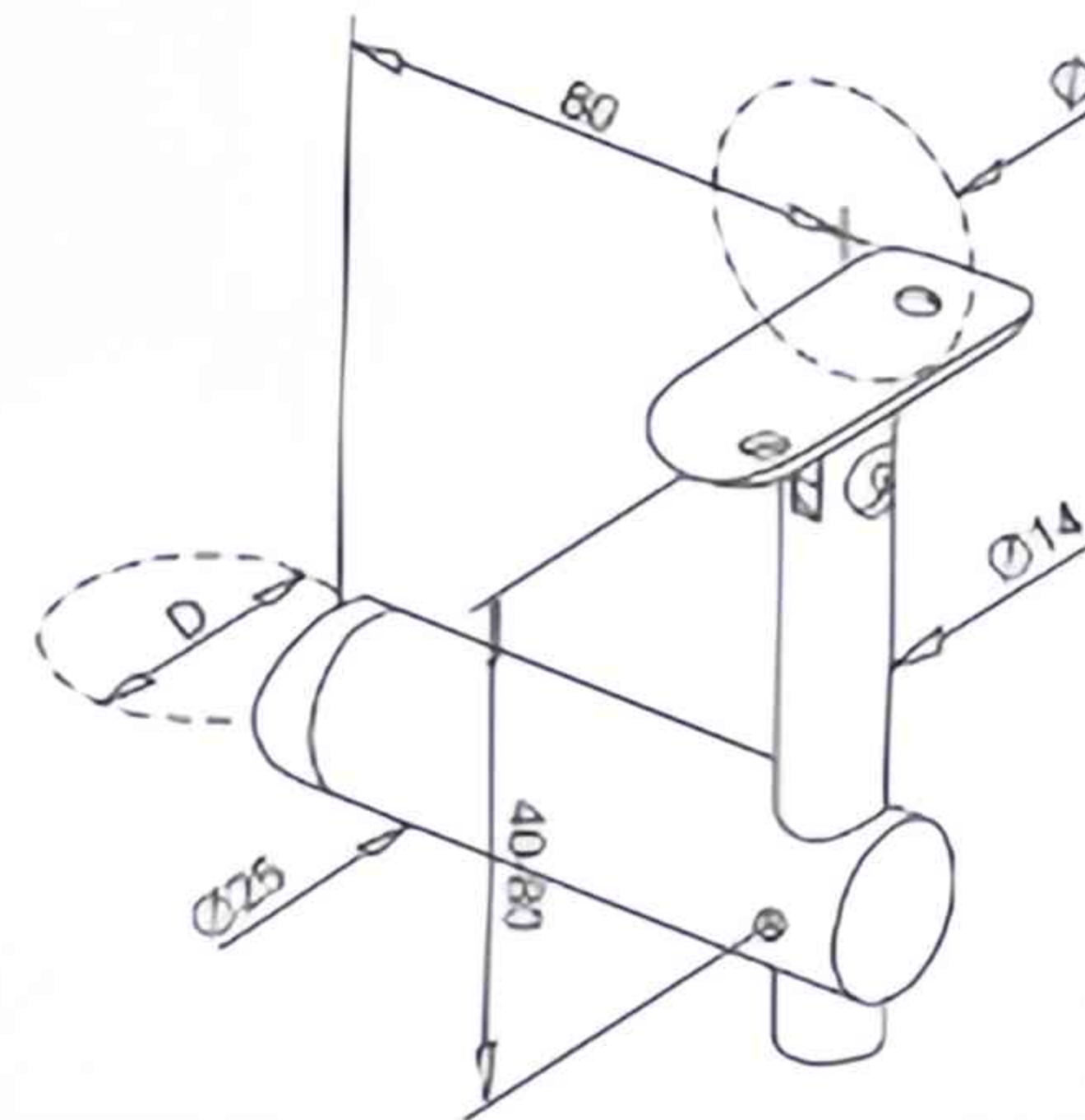
## HANDRAIL BRACKETS

Both AISI304 & AISI316 are available. AISI304 for indoor use; AISI316 for outdoor use.  
Each item is available in either satin finish or mirror finish.



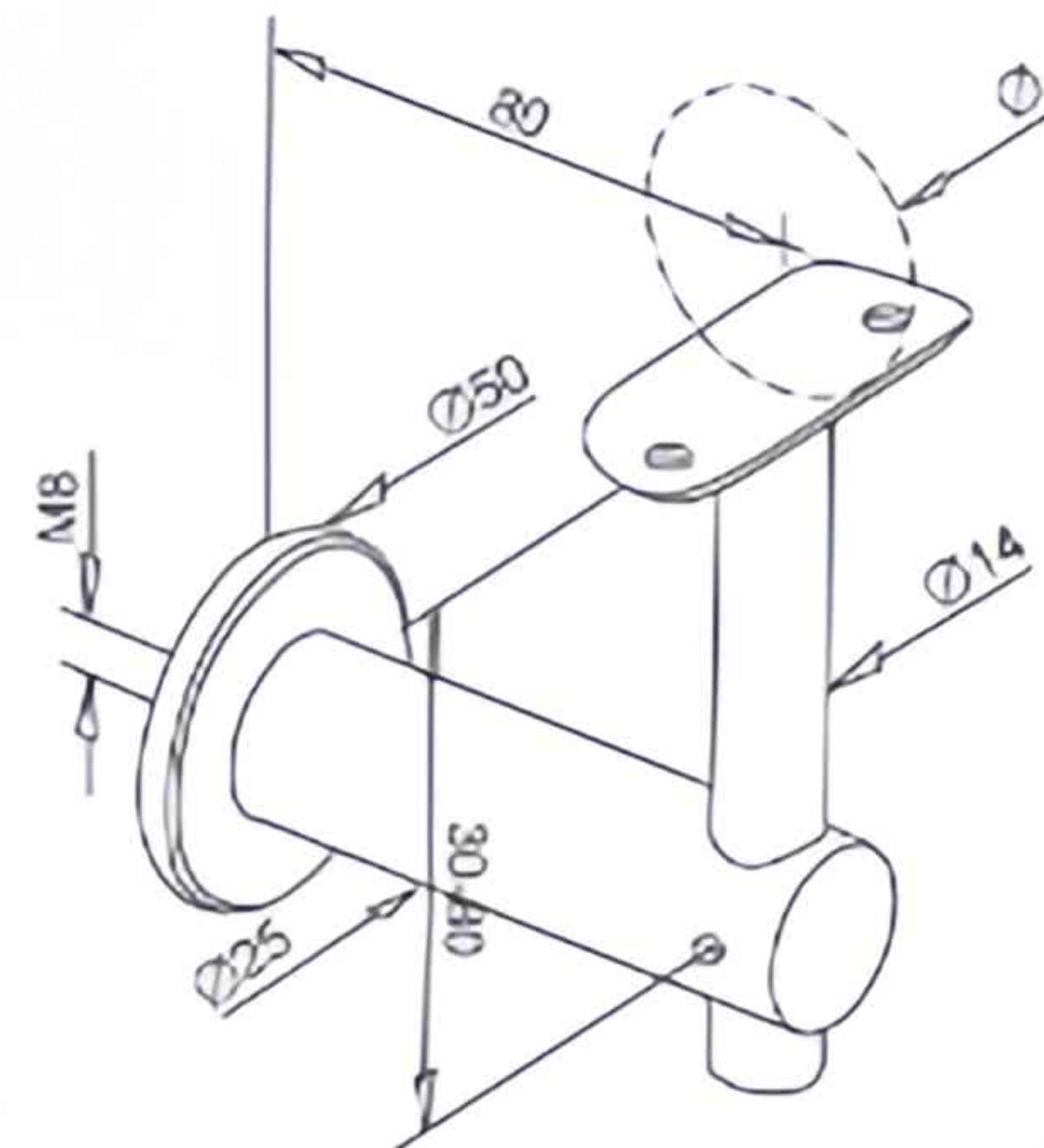
### HANDRAIL TUBE BRACKET

Stock No.	Ø (mm)	D (mm)
J090100	Flat	Flat
J090142	42.4	Flat
J090148	48.3	Flat
J090300	Flat	42.4
J090342	42.4	42.4
J090348	48.3	42.4
J090400	Flat	48.3
J090448	48.3	48.3



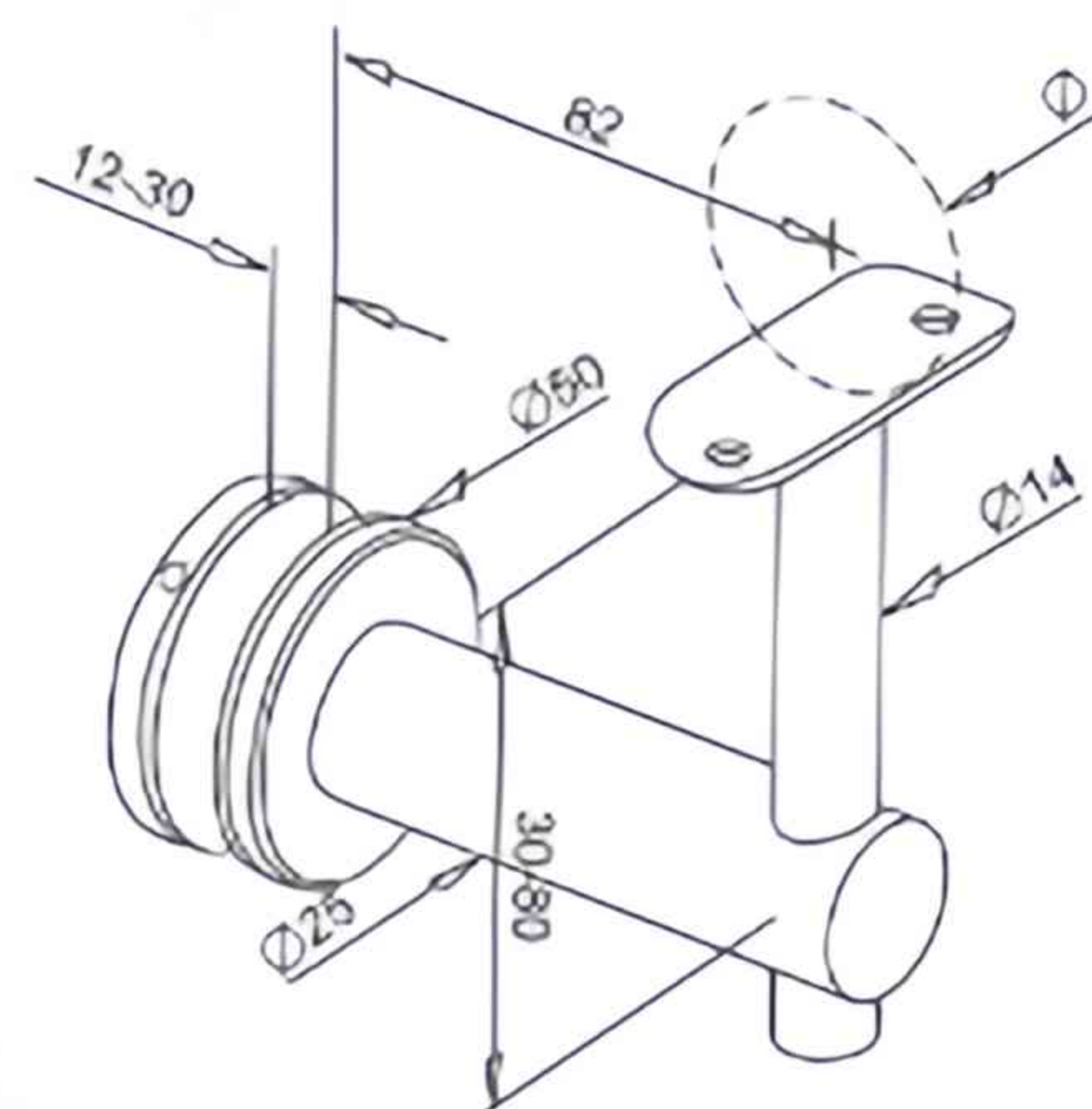
### ADJUSTABLE HANDRAIL TUBE BRACKET

Stock No.	Ø (mm)	D (mm)
J090500	Flat	Flat
J090542	42.4	Flat
J090548	48.3	Flat
J090700	Flat	42.4
J090742	42.4	42.4
J090748	48.3	42.4
J090800	Flat	48.3
J090848	48.3	48.3



### HANDRAIL WALL BRACKET

Stock No.	Ø (mm)
J091100	Flat
J091142	42.4
J091148	48.3



### HANDRAIL GLASS BRACKET

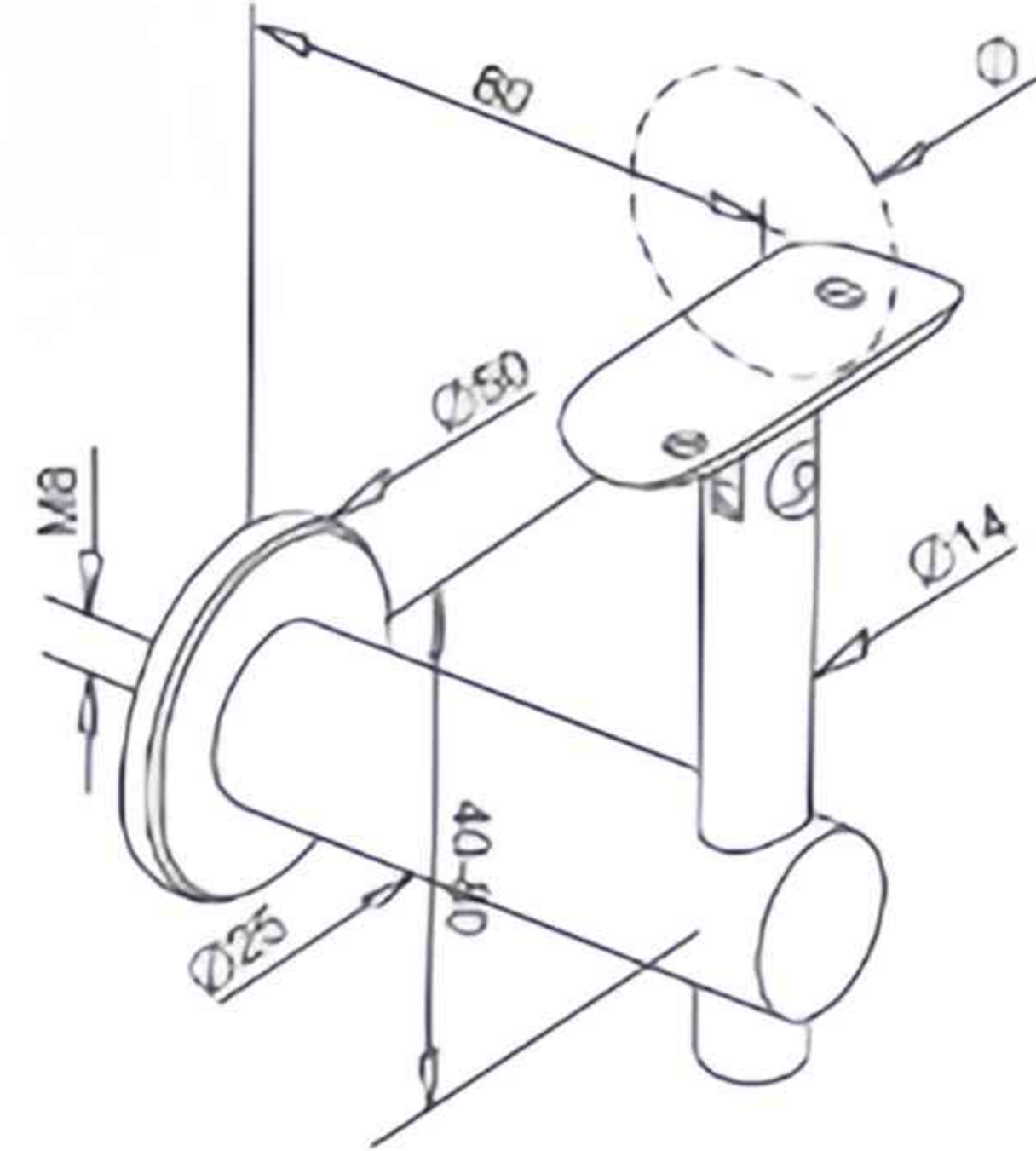
Stock No.	Ø (mm)
J091200	Flat
J091242	42.4
J091248	48.3





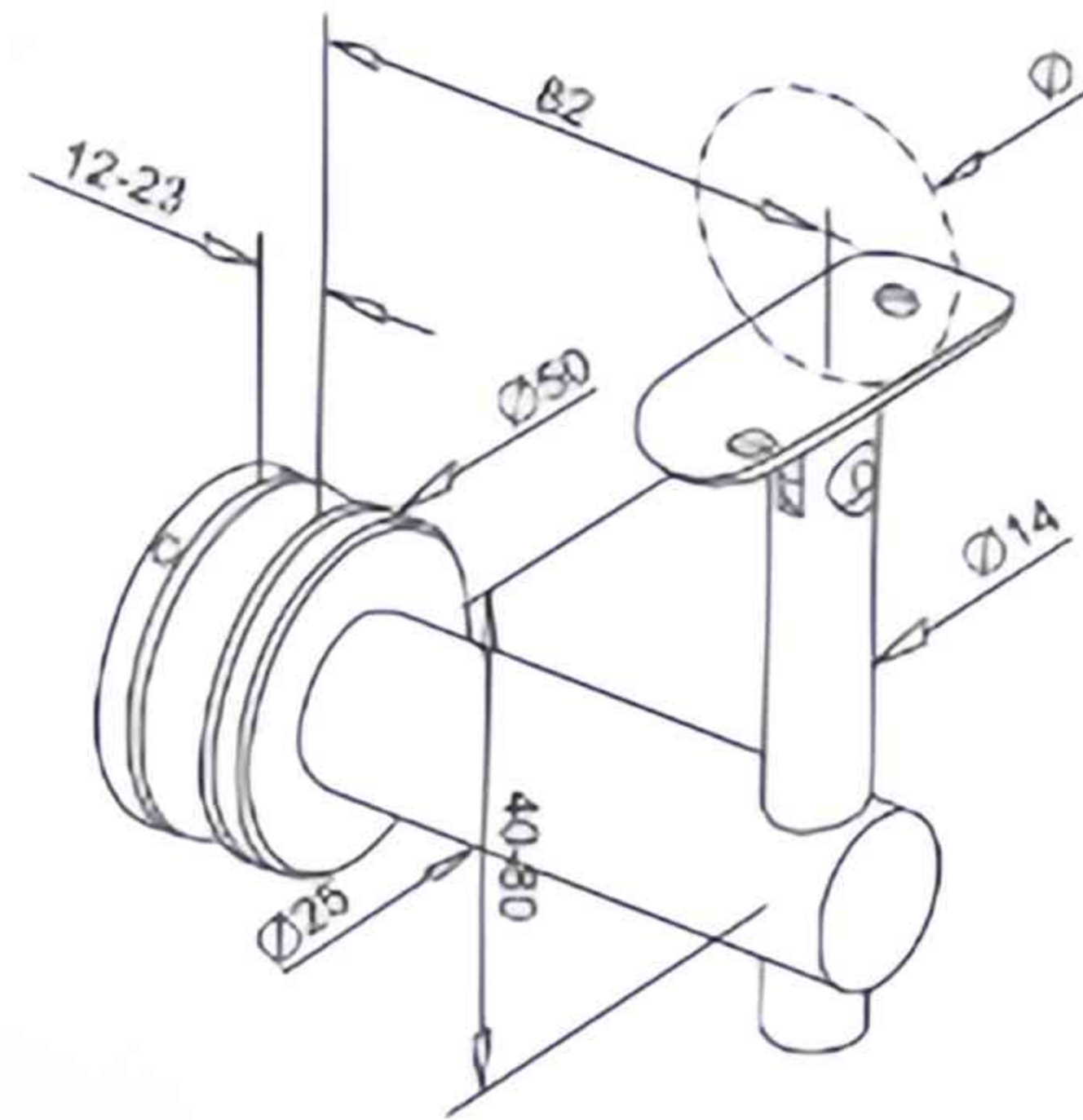
## HANDRAIL BRACKETS

Both AISI304 & AISI316 are available. AISI304 for indoor use; AISI316 for outdoor use.  
Each item is available in either satin finish or mirror finish.



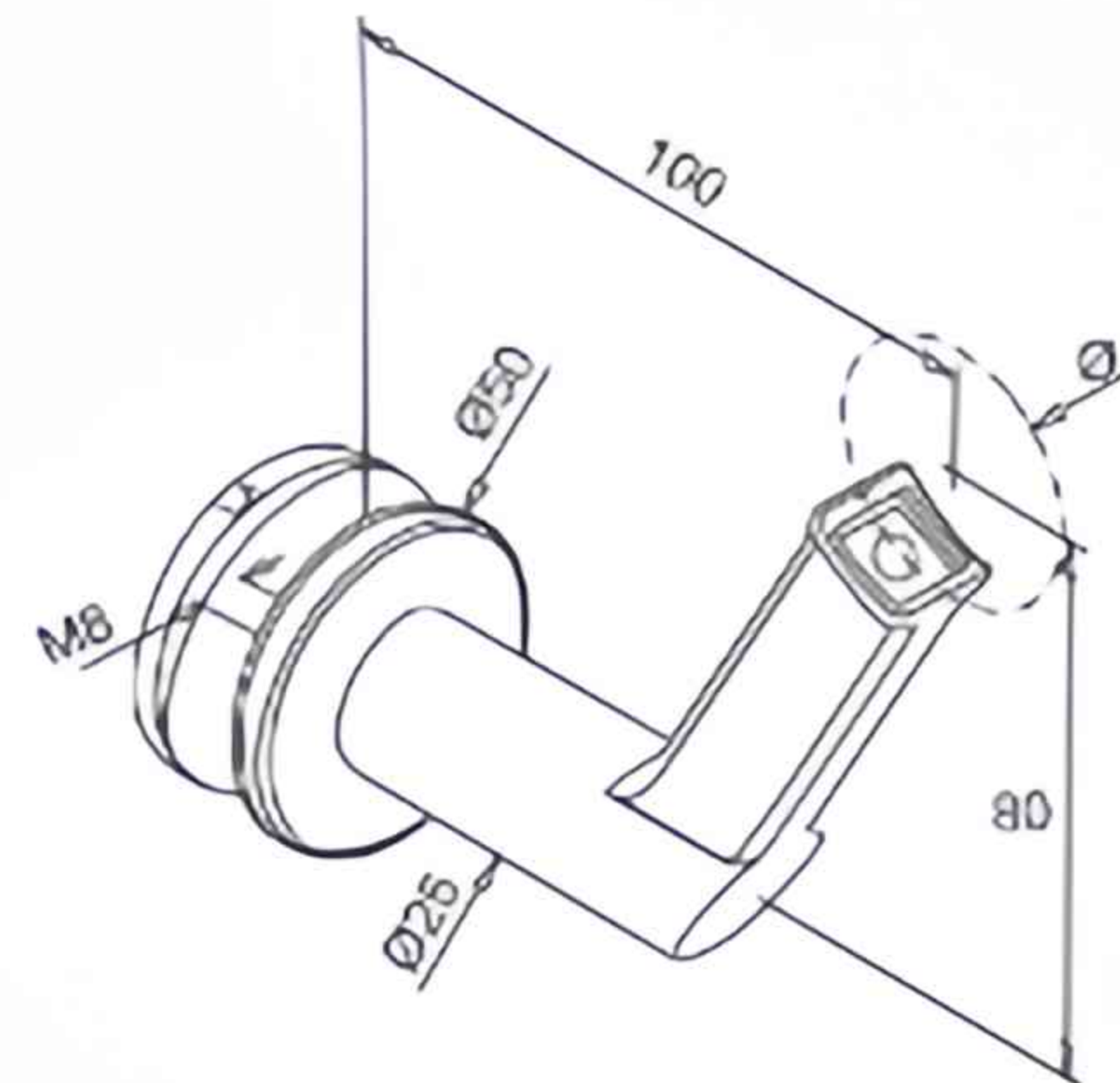
### ADJUSTABLE HANDRAIL WALL BRACKET

Stock No.	Ø (mm)
J091300	Flat
J091342	42.4
J091348	48.3



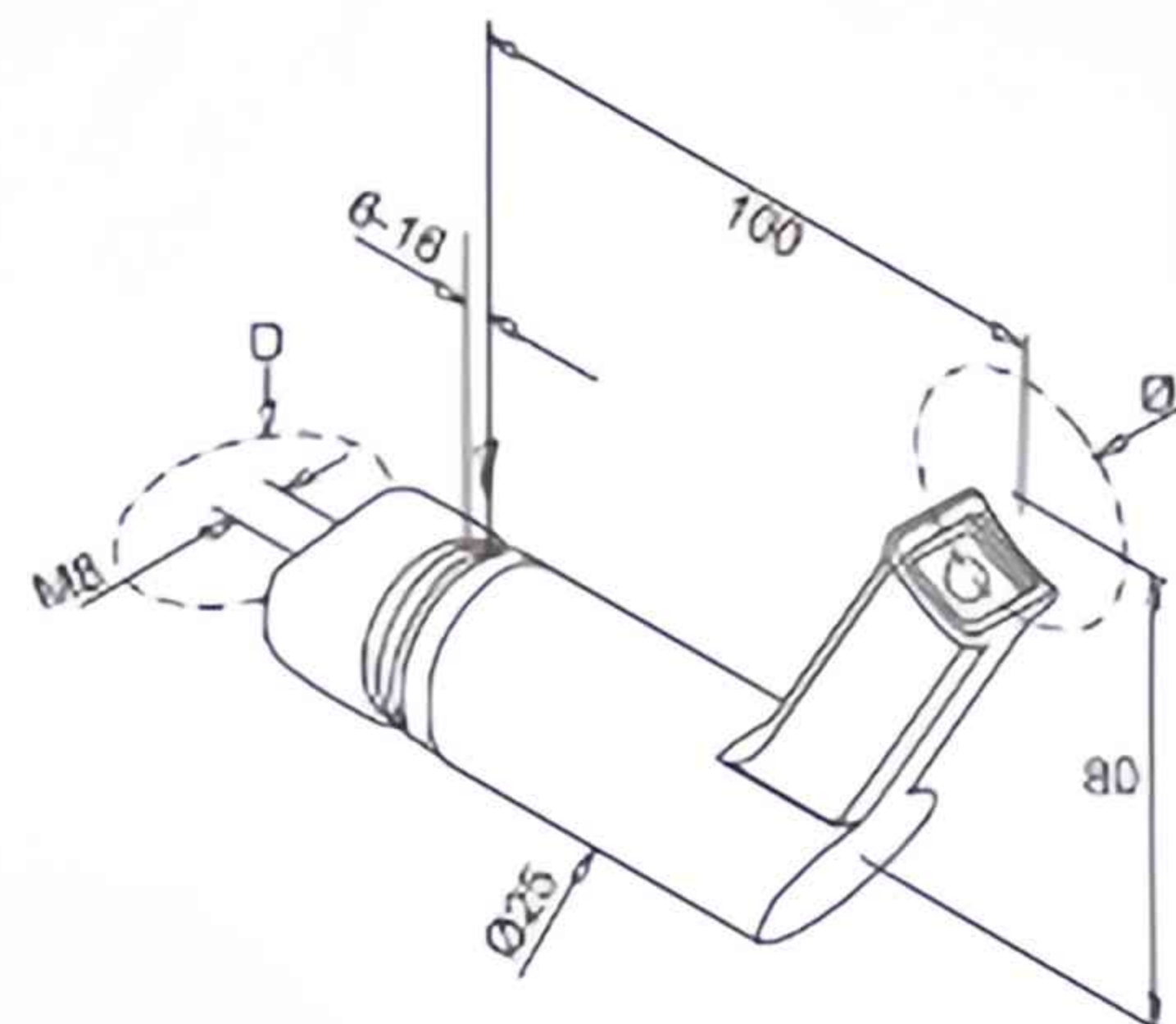
### ADJUSTABLE HANDRAIL GLASS BRACKET

Stock No.	Ø (mm)
J091400	Flat
J091442	42.4
J091448	48.3



### HANDRAIL GLASS BRACKET

Stock No.	Ø (mm)
S431742	42.4
S431748	48.3



### HANDRAIL GLASS BRACKET

Stock No.	Ø (mm)	D (mm)
J094442	42.4	42.4
J094448	42.4	48.3
J094042	42.4	Flat
J094048	48.3	Flat
J094548	48.3	48.3