

Key Features

Aluminum Satin Anodized / Matte Black

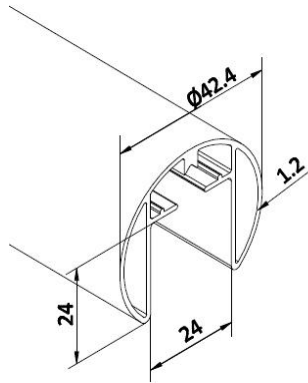
Suitable for 8mm - 21.52mm Glass

No Welding Required

Ready-To-Install

Glass Field Protection

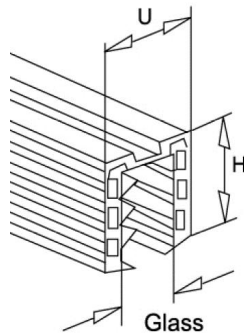
Minimalist Design



ALUMINUM ROUND CAP RAIL

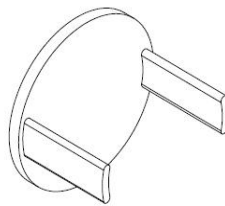
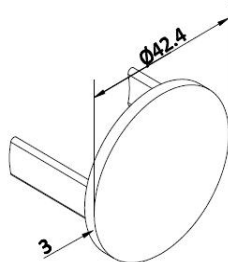
6063-T5

Part No.	Size (mm)	Slot (mm)
AL4224	42.4x1.2	24x24



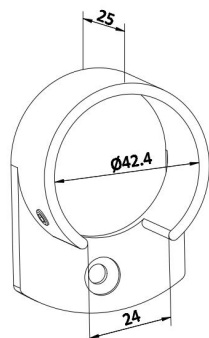
RUBBER GASKET

Part No.	U x H (mm)	Glass (mm)
B1802990101	24x24	8 / 8.76 / 10 / 10.76
B1802990102	24x24	11.52 / 12 / 12.76 / 13.52
B1802990106	24x24	15
B1802990103	24x24	16.76 / 17.52
B1802990105	24x24	19
B1802990104	24x24	20.76 / 21.52



ALUMINUM ROUND END CAP

Part No.	Size (mm)
J141142-AL	42.4



ALUMINUM ROUND WALL FLANGE

Part No.	Size (mm)
J121142-AL	42.4

Key Features

Aluminum Satin Anodized / Matte Black

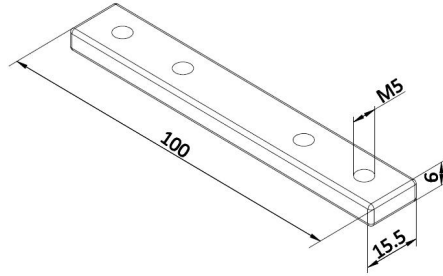
Suitable for 8mm - 21.52mm Glass

No Welding Required

Ready-To-Install

Glass Field Protection

Minimalist Design



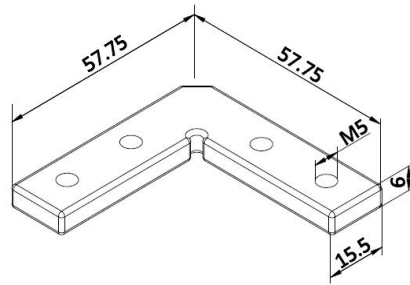
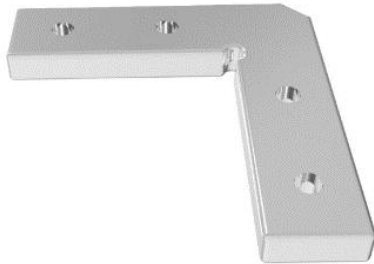
ALUMINUM 180° CONNECTOR

Part No.

Size
(mm)

J111316-AL

15.5×6



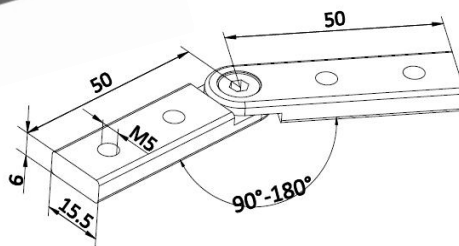
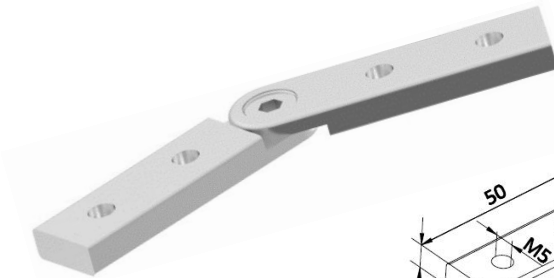
ALUMINUM 90° CONNECTOR

Part No.

Size
(mm)

J111216-AL

15.5×6



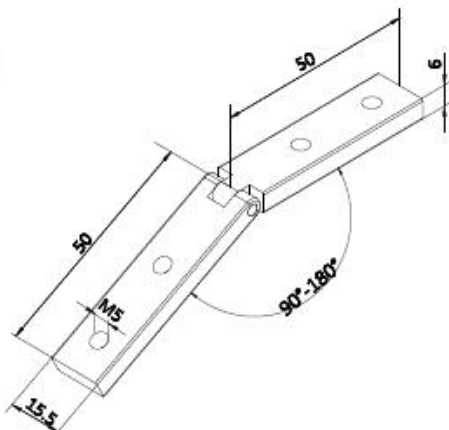
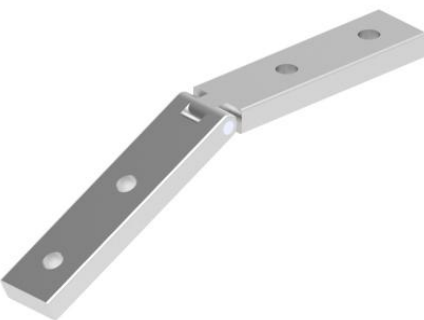
HORIZONTAL ADJ. CONNECTOR

Part No.

Size
(mm)

J111616-AL

15.5×6



VERTICAL ADJ. CONNECTOR

Part No.

Size
(mm)

J111516-AL

15.5×6

Aluminium Cap Rail System

Key Features

Aluminum Satin Anodized / Matte Black

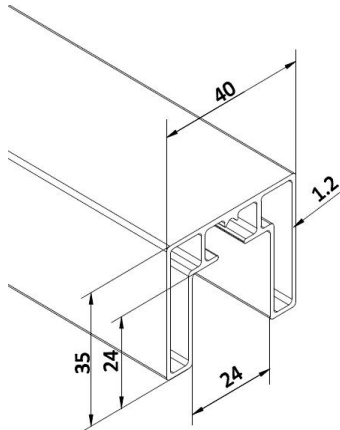
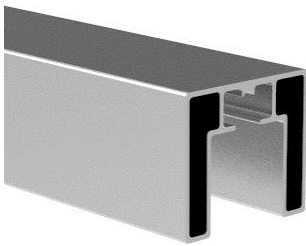
Suitable for 8mm - 21.52mm Glass

No Welding Required

Ready-To-Install

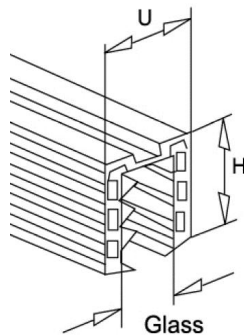
Glass Field Protection

Minimalist Design



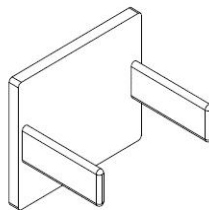
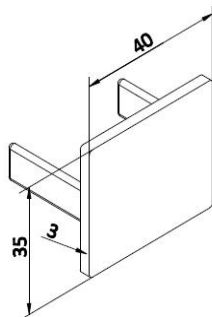
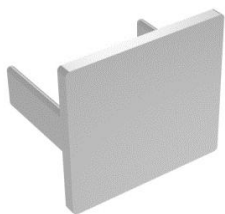
ALUMINUM SQUARE CAP RAIL 6063-T5

Part No.	Size (mm)	Slot (mm)
AL403524	40x35x1.2	24x24



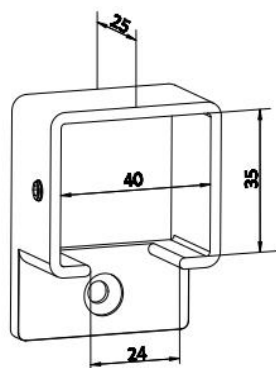
RUBBER GASKET

Part No.	U x H (mm)	Glass (mm)
B1802990101	24x24	8 / 8.76 / 10 / 10.76
B1802990102	24x24	11.52 / 12 / 12.76 / 13.52
B1802990106	24x24	15
B1802990103	24x24	16.76 / 17.52
B1802990105	24x24	19
B1802990104	24x24	20.76 / 21.52



ALUMINUM SQUARE END CAP

Part No.	Size (mm)
S340145-AL	40x35



ALUMINUM SQUARE WALL FLANGE

Part No.	Size (mm)
S320145-AL	40x35

Key Features

Aluminum Satin Anodized / Matte Black

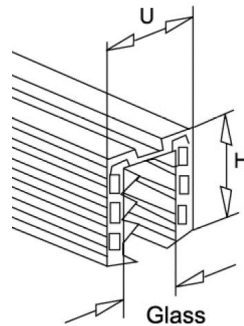
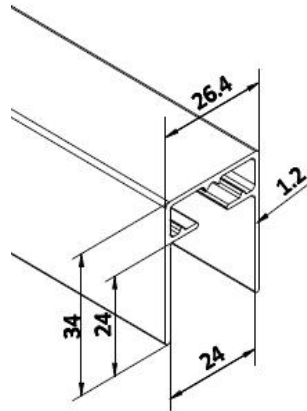
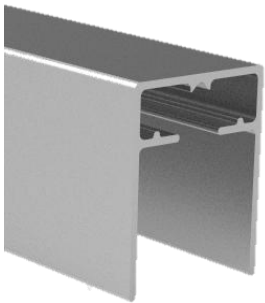
Suitable for 8mm - 21.52mm Glass

No Welding Required

Ready-To-Install

Glass Field Protection

Minimalist Design



ALUMINUM U CHANNEL

6063-T5

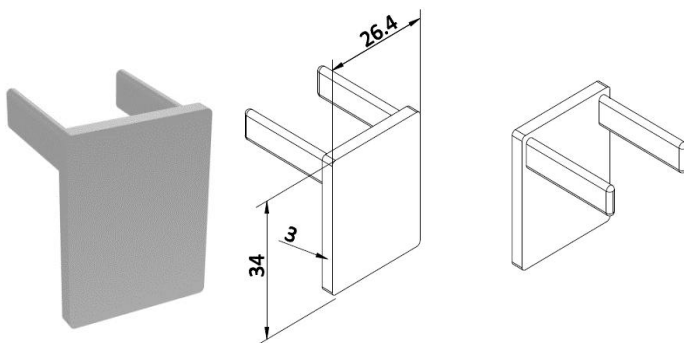
Part No.	Size (mm)	Slot (mm)
AL263424	26.4x34x1.2	24x24

RUBBER GASKET

Part No.	U x H (mm)	Glass (mm)
B1802990101	24x24	8 / 8.76 / 10 / 10.76
B1802990102	24x24	11.52 / 12 / 12.76 / 13.52
B1802990106	24x24	15
B1802990103	24x24	16.76 / 17.52
B1802990105	24x24	19
B1802990104	24x24	20.76 / 21.52

ALUMINUM U CHANNEL END CAP

Part No.	Size (mm)
S340124-AL	26.4x34



ALUMINUM U CHANNEL WALL FLANGE

Part No.	Size (mm)
S320124-AL	26.4x34

