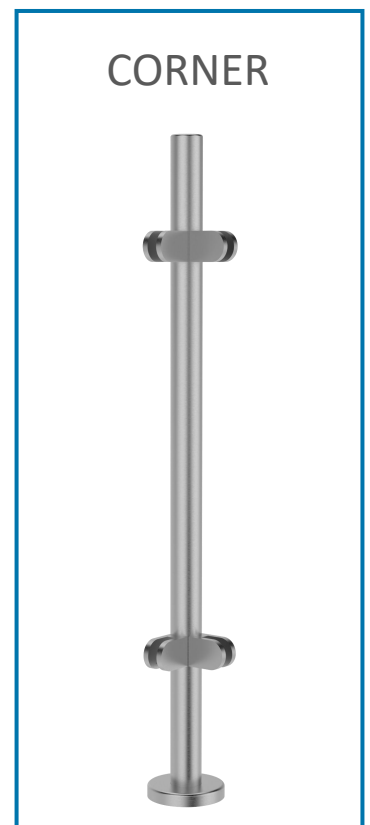
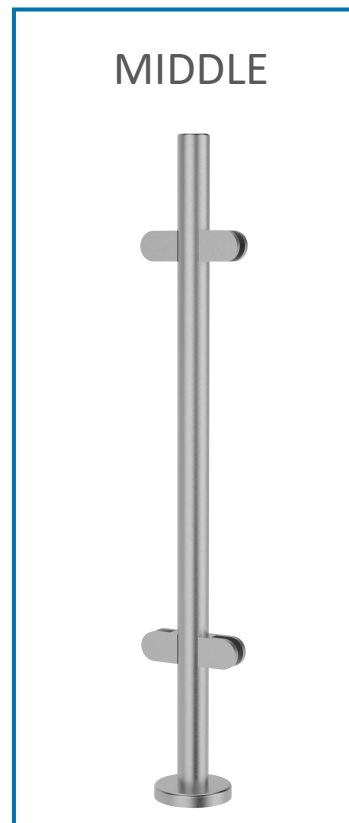
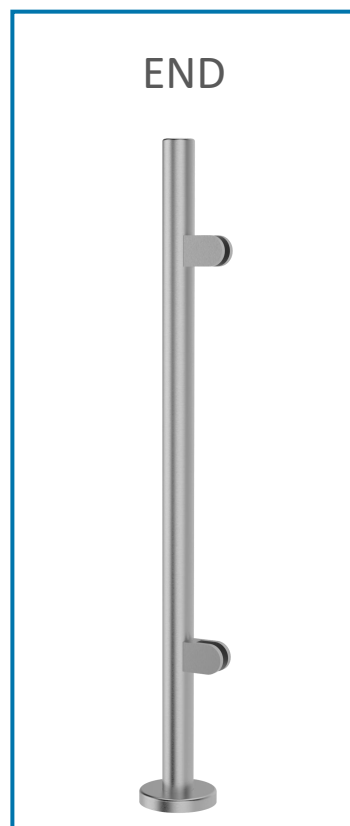


STAINLESS STEEL POST GLASS RAILING SYSTEM



Excellent Corrosion Resistance, Easy to Maintain

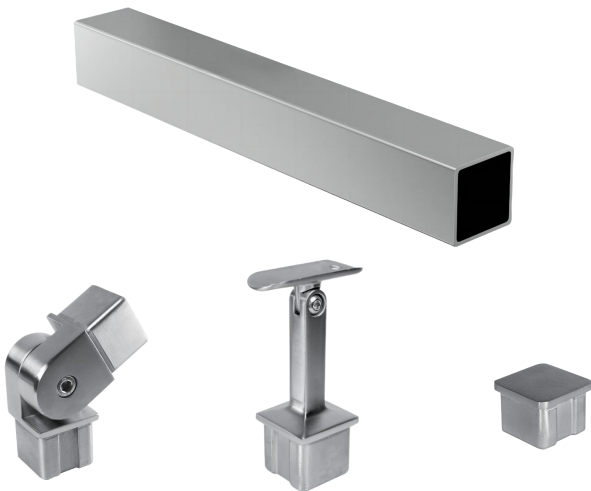
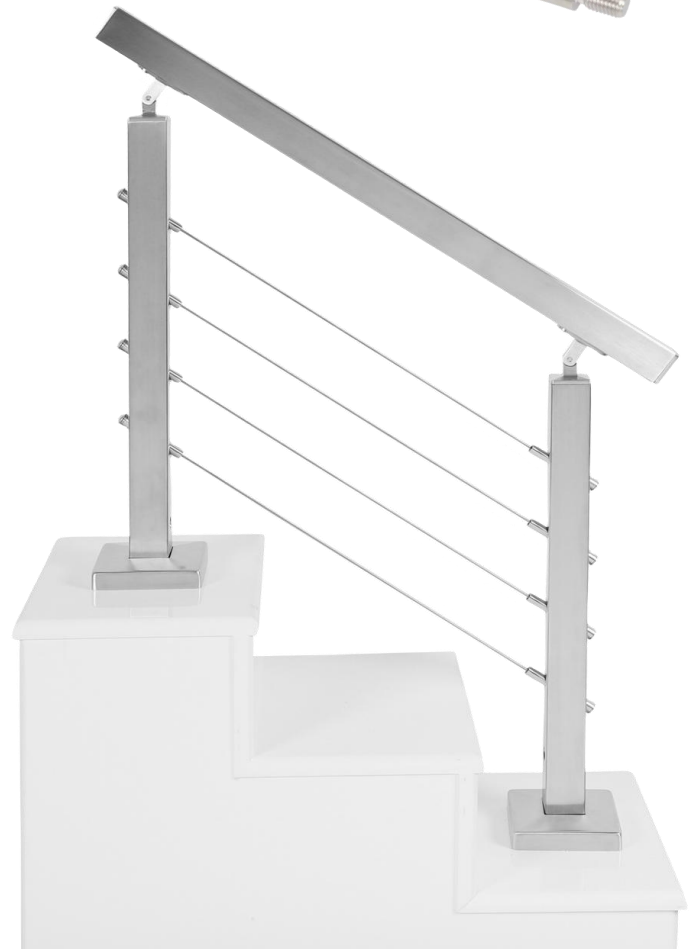
- Complete Provision of Relevant Components
- Install: Top Mount & Fascia Mount
- Available in BLACK



STAINLESS STEEL POST CABLE RAILING SYSTEM



Customize Your
Cable Railing System



JINFER RAILING

JINFER
BALUSTRADES & RAILINGS

No.6 Shandong Road Qingdao China 266000

TEL: +86 532 8386 0958

E-mail: sales@jinferrailing.com

www.jinferrailing.com



Find More



YouTube