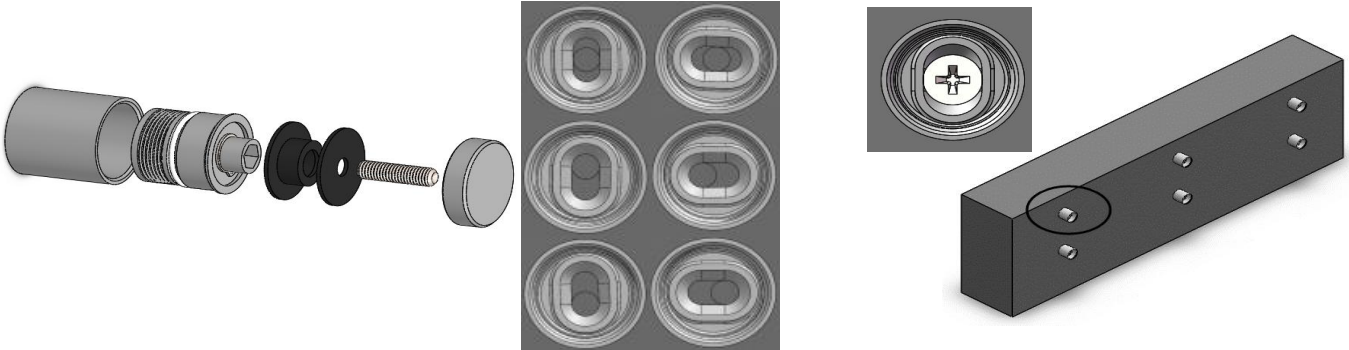
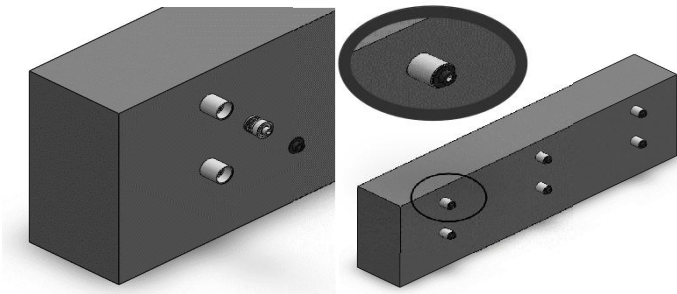


## ADJUSTABLE STAND OFF

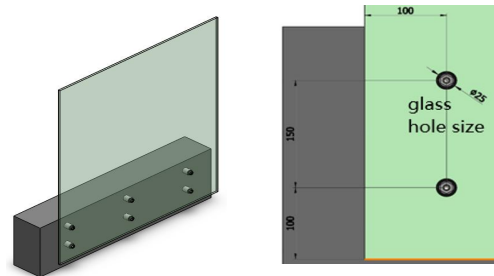
**Step 1.** Drill holes and use the anchor bolts or wood screw to install the stand off base. The oval hole on the stand off base allows the adjustment according to job site.



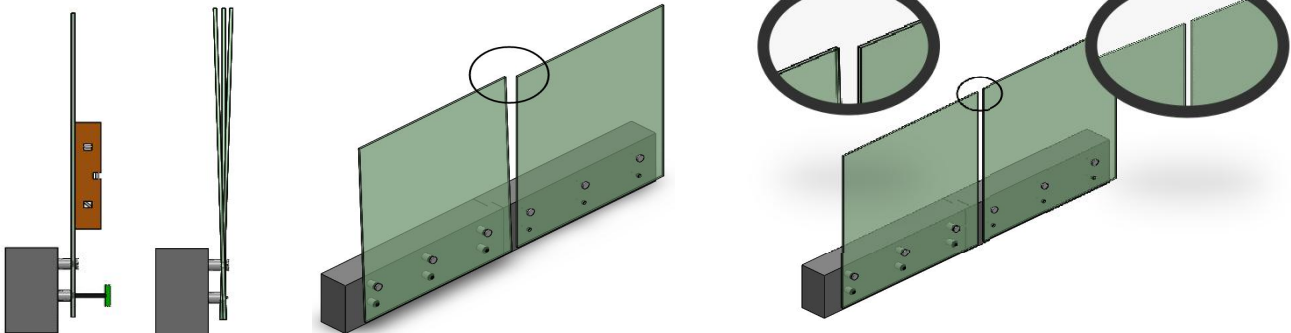
**Step 2.** Install the stand off body and T-profile gasket.



**Step 3.** Install the glass. Recommended glass hole size is  $\Phi 25\text{mm}$ .



**Step 4.** When the glasses are not aligned, use allen hex tool to adjust the stand off body, without removing the glasses. The adjustment range is  $\pm 2^\circ$ .



**Step 5.** Tighten the stand off cap.

