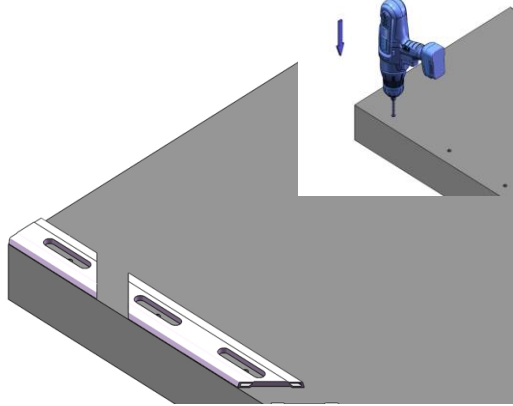


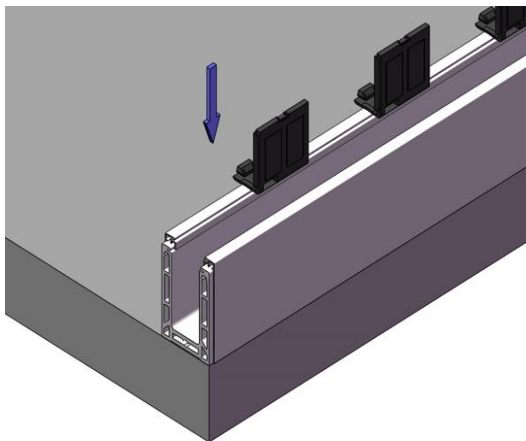
## ADJUSTABLE ALUMINIUM GLASS CHANNEL - TOP MOUNT

**Step 1.** Use drill bit to predrill holes for drop in anchor screws.

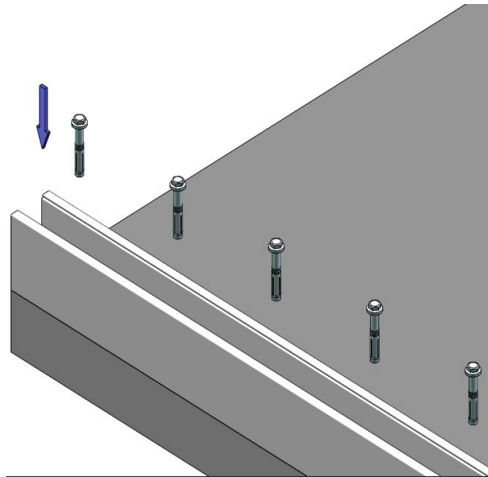
**Step 2.** Place the drainage profiles on the ground



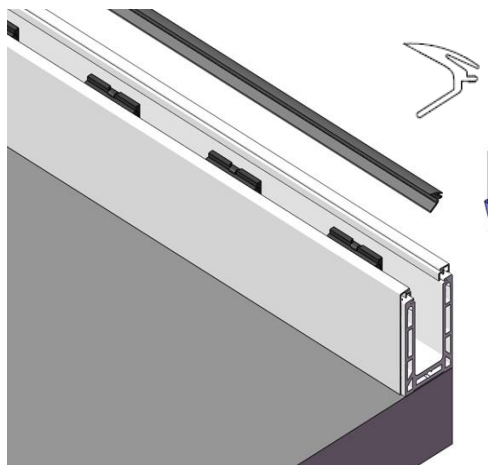
**Step 5.** Install the L wedge on the fixed side.



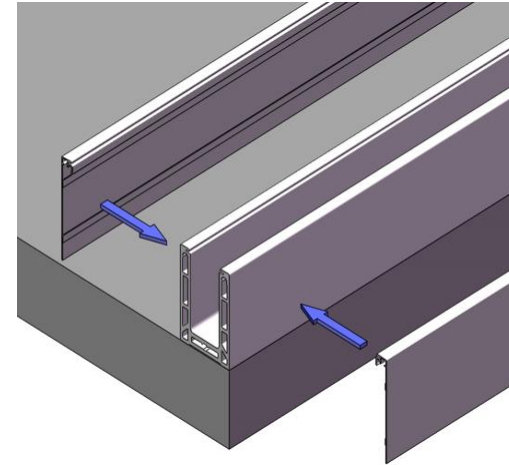
**Step 3.** Fix the aluminum channel on the ground.



**Step 6.** Press outside rubber gasket on the fixed side and press in place.

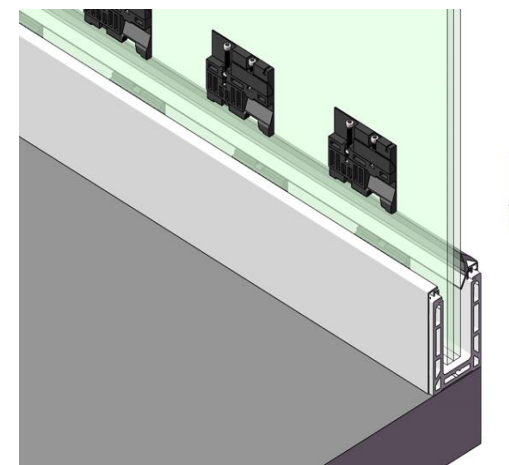


**Step 4.** Click side cladding on both sides of the aluminum channel.

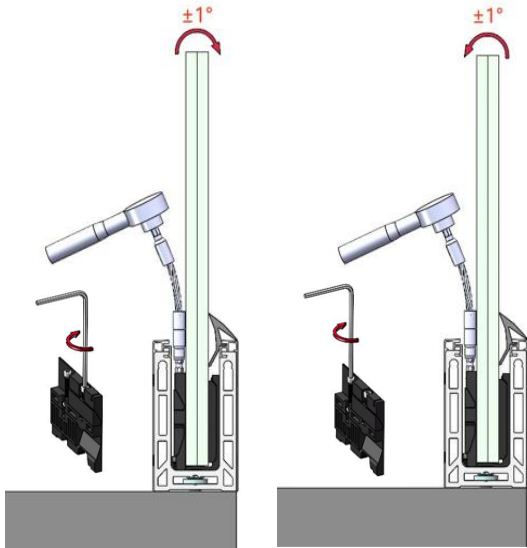


**Step 7.** Put the glass into aluminum channel.

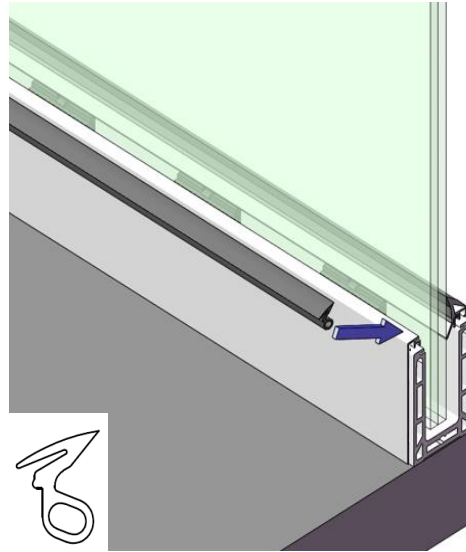
**Step 8.** Insert wedge on inside of aluminum channel between glass and channel.



**Step 9.** Tighten the right bolt clockwise to adjust glass panel 1° to exterior (fall side). Tighten the left bolt clockwise to adjust glass panel 1° to interior



**Step 10.** Press inside rubber gasket in between channel and glass and press firmly.



**Step 11.** Stick the end cap to the aluminum channel

